

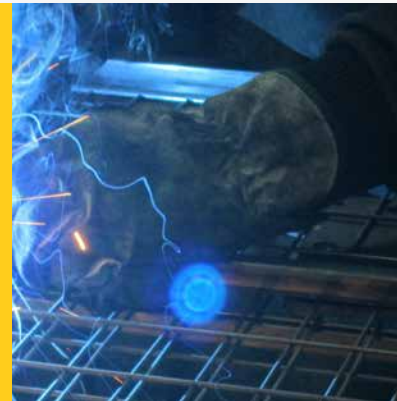
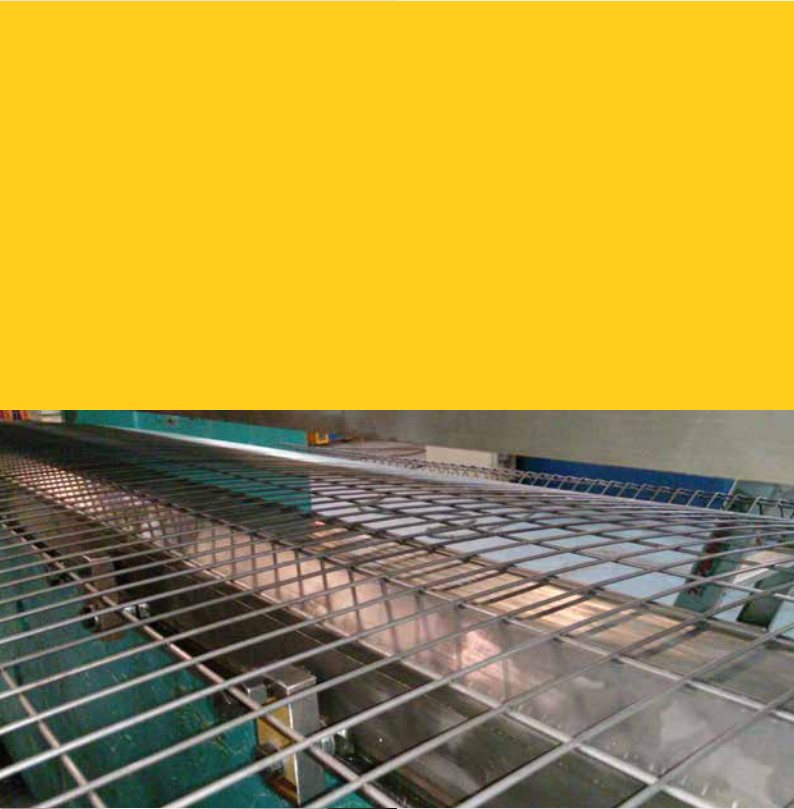


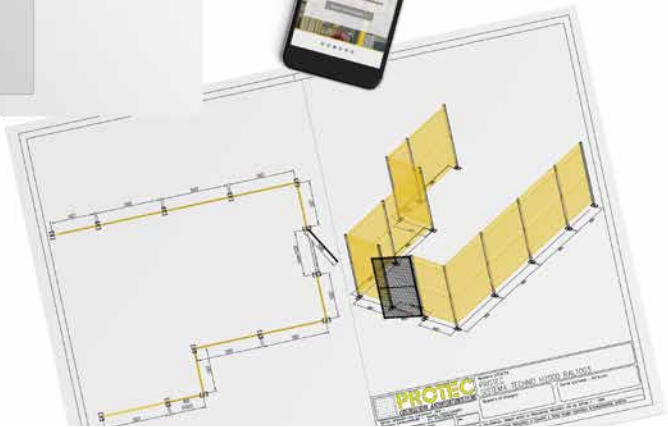
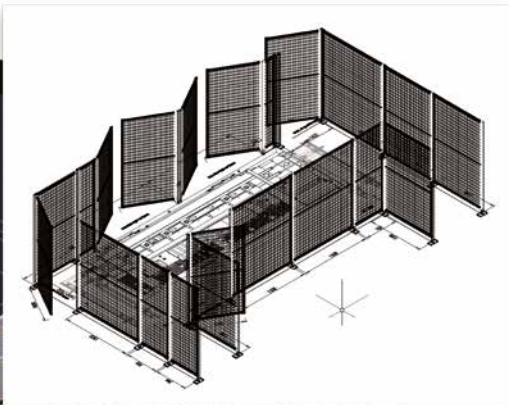
**Klaassen**  
Machines en machinetoebehoren

# TECHNO MODULAIR HEKWERK

# Klaascan

Machines en machinetoebehoren





# System Techno

The Techno protective fence system, Ø3 mm wire, Ø4 mm wire was created to help all customers determine the hazardous areas to provide a solution with steel material that is cost effective and easy to install.

This product is made with self-supporting grid panels, with a mesh size that improves visibility to the machine that stands behind the fence.



## Cheap

The costs are minimized because it is made as a self-supporting fence.



## Modularity

All components are modular; so the same panels can be used both as fixed elements and with the help of a Kit, as a double or sliding door.



## Visibility

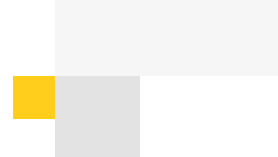
The innovative system of the 32x67 (wirednetting) improves the vision of the machinery inside the restricted area.



## Modification on place during installation

This system has the big advantage to be changed on place, with the use of a few Tools and it does not have to be repainted afterwards.



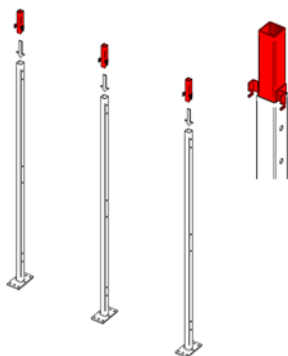


The QUICK TECHNO kit is an instrument designed exclusively to reduce assembly time, it is possible to install this 3-prolongation kit by a single installer. The system complies with the applicable regulations. A fundamental requirement for permanent guards is their fixing, which must be obtained with systems that require the use of tools for opening them and, as far as possible, they must not be able to remain in their place in the absence of their fixing means.

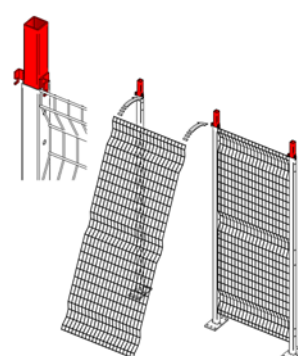
**Therefore at the end of the operations, the kit must be necessarily removed.**



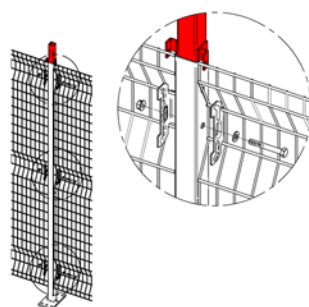
Step **1**



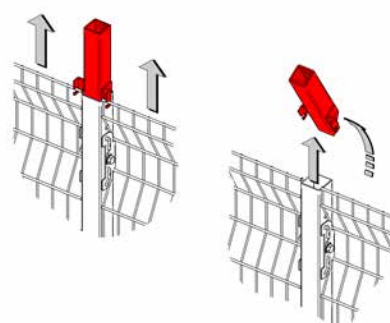
Step **2**



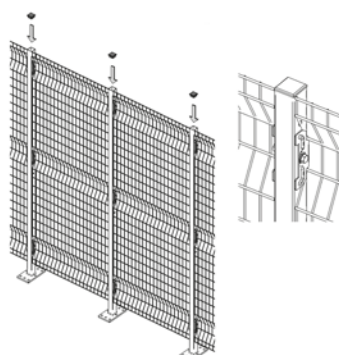
Step **3**



Step **4**



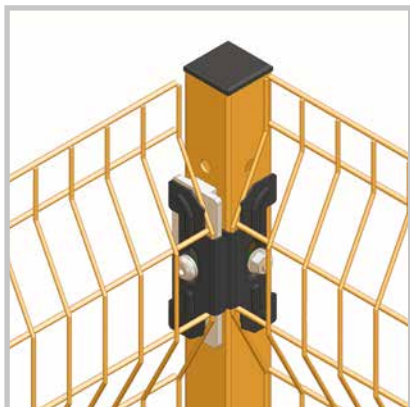
Step **5**



Video

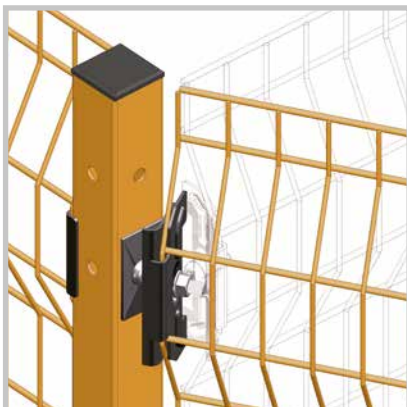


### Convex corners kit



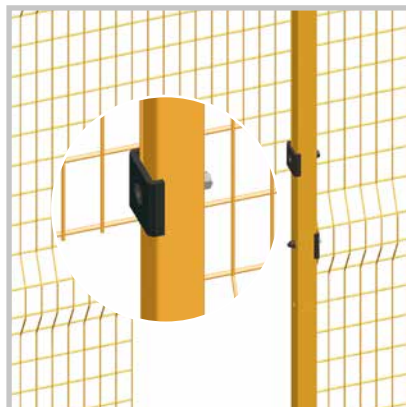
With this accessory you can realize Internal angle of 90°.

### Panel inclination kit



With this accessory you can make angle connections with inclinations of 30° to 180°.

### Panel fixing kit 1 fold



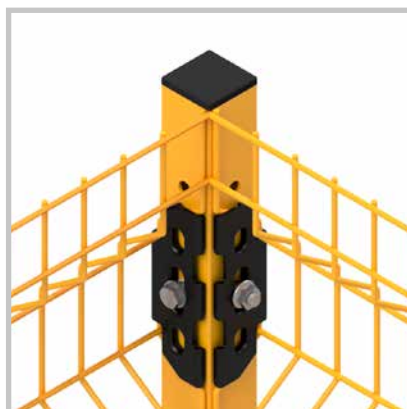
This accessory allows you to be able to fix the panel to the posts later, after having changed or shortened it horizontally.

### Intermediate screw kit



This kit contains 6 plates and corresponding screws for H 2000 8 plates and corresponding screws for H 2520.

### Angle screw kit



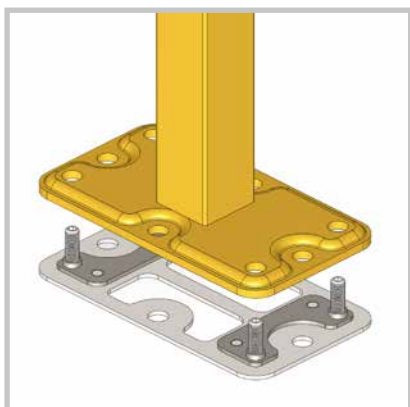
This kit contains 6 plates and corresponding screws for H 2000 8 plates and corresponding screws for H 2520.

### Terminal screw kit



This kit contains 3 plates and corresponding screws for H 2000 4 plates and corresponding screws for H 2520.

### Leveling kit



This kit allows the leveling of the post. Ideal for setting the door posts.

### Posts 40x40



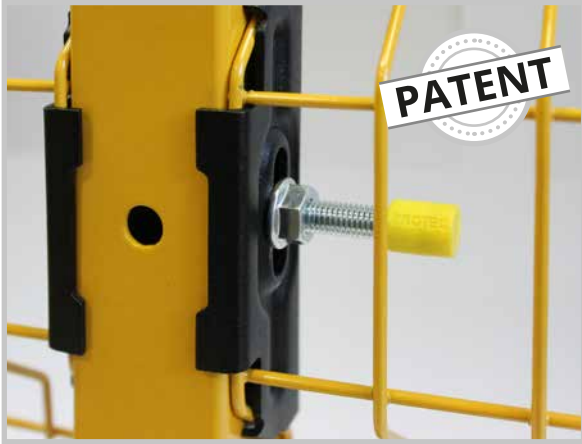
### Posts 50x50



## Unlosable screw set

The Machinery Directive requires that “fastening systems must remain attached to the fences or to the machine when removing the protections”.

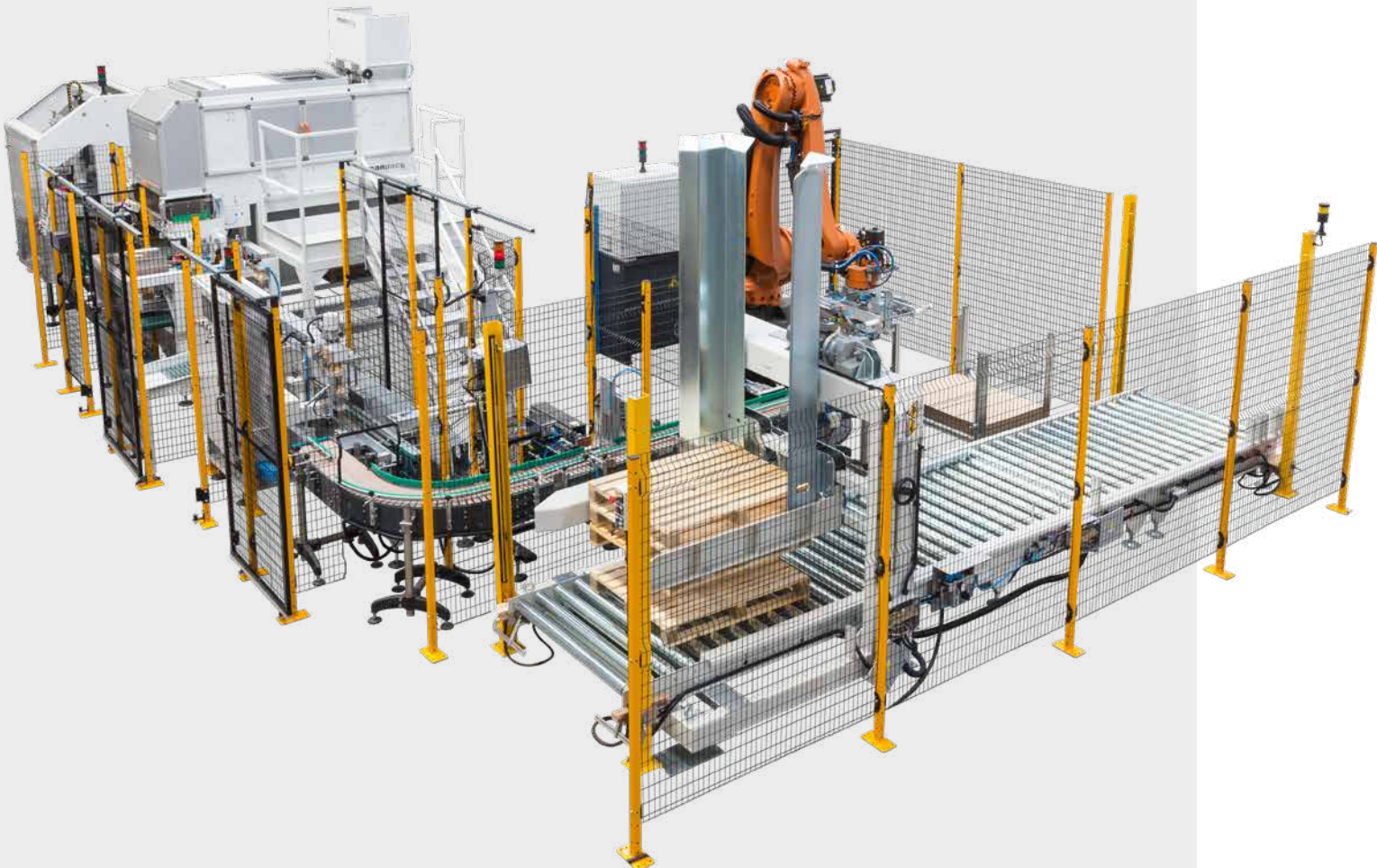
The screws must not be missed unless the panel or panels need to be removed for normal maintenance and it is not possible to act on the access already provided (doors).



The standard EN ISO 14120 states: Movable protective equipment,

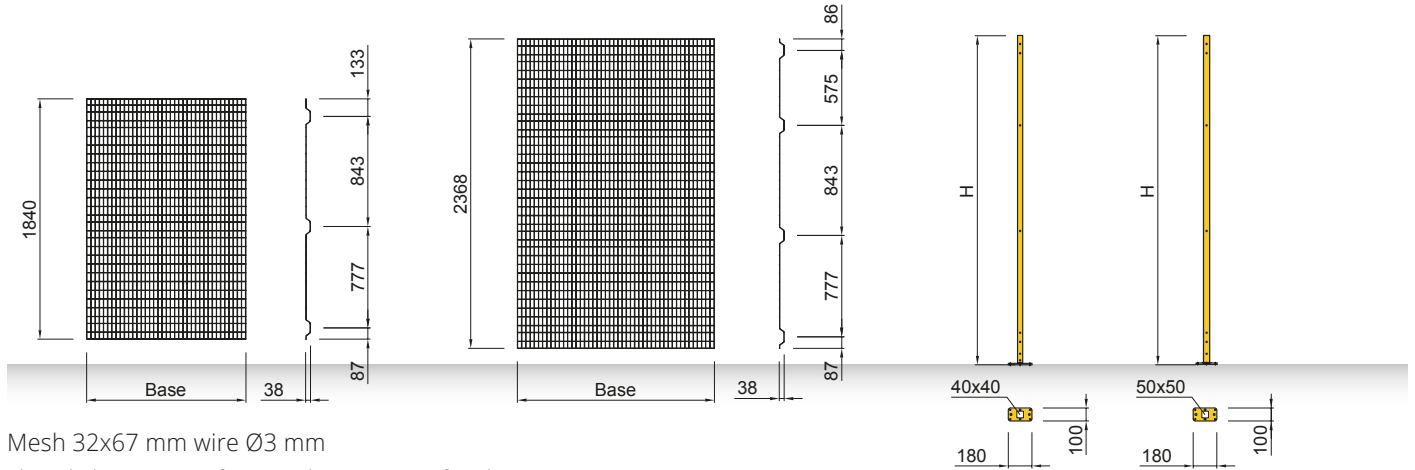
if access frequency is high (more than once a week) or if removal of the fixed guard may be difficult, a movable guard with lock must be provided.

In accordance to current regulations, the set of non-removable screws is easy to install and it is always provided.



# System Techno wire Ø3

## Panels dimensions



Mesh 32x67 mm wire Ø3 mm

Floor light 160 mm for panels - 100 mm for doors

## Panels dimensions

	Item No	Item No	Base	Height	
Panels	PNNT001	PNNT001N	259	1840	
	PNNT002	PNNT002N	419		
	PNNT003	PNNT003N	707		
	PNNT004	PNNT004N	1027		
	PNNT005	PNNT005N	1219		
	PNNT006	PNNT006N	1507		
	PNNT013	PNNT013N	2019		
	Panels	PNNT008	PNNT008N	259	2368
		PNNT009	PNNT009N	419	
		PNNT010	PNNT010N	707	
		PNNT011	PNNT011N	1027	
		PNNT012	PNNT012N	1219	
		PNNT007	PNNT007N	1507	
		Doors panels	-	PNNA 015	
-	PNNA 016		1000		
-	PNNA 017		1200		
-	PNNA 018		1500		
Doors panels	-	PNNA2501	700	2405	
	-	PNNA2502	1000		
	-	PNNA2503	1200		
	-	PNNA2504	1500		

## Post dimensions

Item No	Height (H)	Cross Section	Plate	Color
MT113 (intermediate)	2000	40x40	100x180	RAL 1003
MATEC110 (angular)	2000	40x40	100x180	
MT2500 (intermediate)	2520	40x40	100x180	
MATEC2500 (angular)	2520	40x40	100x180	
MT300 (intermediate)	2000	50x50	100x180	RAL 1003
MATEC301 (angular)	2000	50x50	100x180	
MT350 (intermediate)	2520	50x50	100x180	
MATEC351 (angular)	2520	50x50	100x180	
KRMT001	Kit leveling for posts 40x40 - 50x50 Level plate dim. 100x180 sp. 25/10			

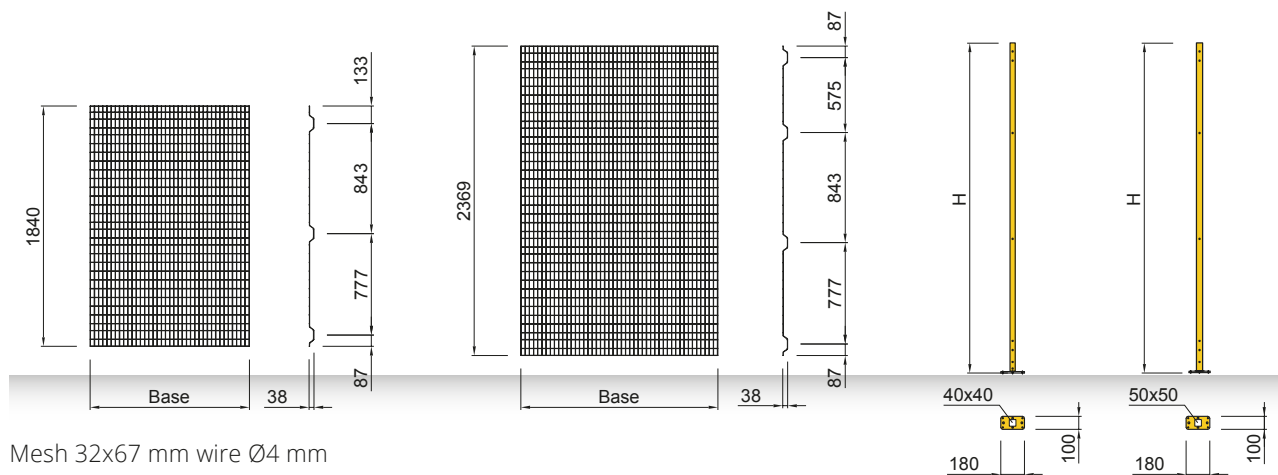
Stock colors for panels and posts



RAL



# System Techno wire Ø4



Mesh 32x67 mm wire Ø4 mm

Floor light 160 mm for panels - 100 mm for doors

System  
**Techno**

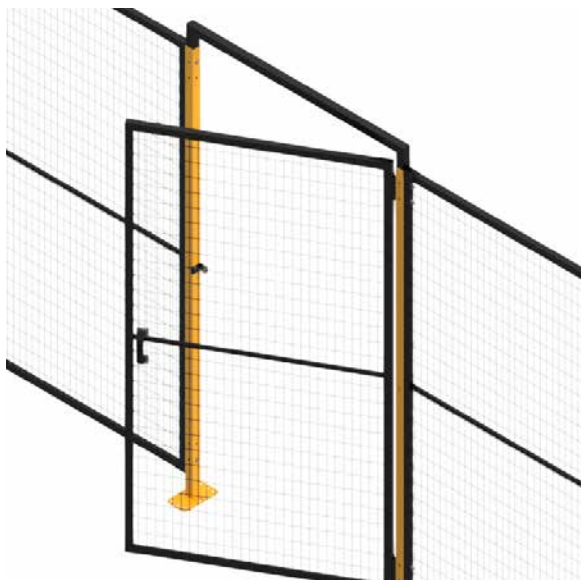
## Panels dimensions

	Item No <b>RAL 1003</b>	Item No <b>RAL 9005 anti scratch</b>	Base	Height
Panels	PNNT116	PNNT116N	260	<b>1840</b>
	PNNT117	PNNT117N	420	
	PNNT118	PNNT118N	708	
	PNNT110	PNNT110N	1028	
	PNNT115	PNNT115N	1220	
	PNNT120	PNNT120N	1508	
	PNNT125	PNNT125N	2020	
	PNNT130	PNNT130N	2500	
	Panels	PNNT121	PNNT121N	
PNNT122		PNNT122N	420	
PNNT123		PNNT123N	708	
PNNT204		PNNT204N	1028	
PNNT205		PNNT205N	1220	
PNNT206		PNNT206N	1508	
Doors panels		-	PNNA105	700
	-	PNNA110	1000	
	-	PNNA115	1200	
	-	PNNA120	1500	
Doors panels	-	PNNA155	700	<b>2405</b>
	-	PNNA160	1000	
	-	PNNA165	1200	
	-	PNNA170	1500	

## Post dimensions

Item No	Height (H)	Cross Section	Plate	Color
MT113 (intermediate)	2000	40x40	100x180	
MATEC110 (angular)	2000	40x40	100x180	
MT2500 (intermediate)	2520	40x40	100x180	
MATEC2500 (angular)	2520	40x40	100x180	
MT300 (intermediate)	2000	50x50	100x180	
MATEC301 (angular)	2000	50x50	100x180	
MT350 (intermediate)	2520	50x50	100x180	
MATEC351 (angular)	2520	50x50	100x180	
KRMT001	Kit leveling for posts 40x40 - 50x50 Level plate dim. 100x180 sp. 25/10			

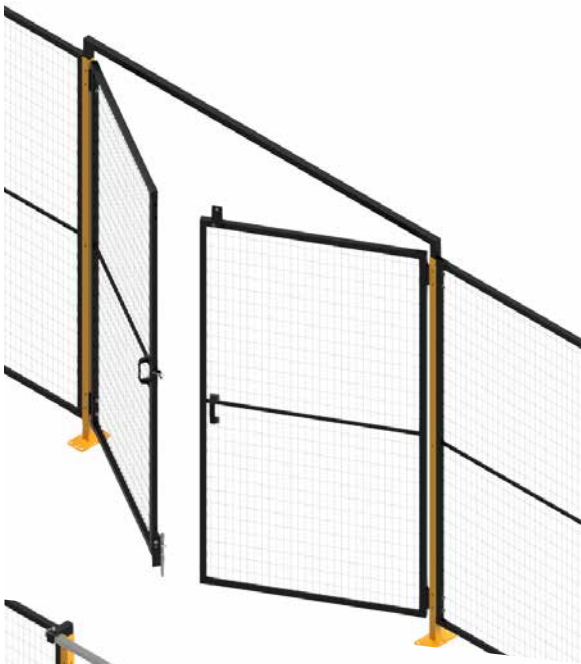
# Components to the **Accesses**



## **Single double door**

The door was designed as antipanic door: through a magnet system it allows Evacuation from the isolated zone by pressing the Door panel.

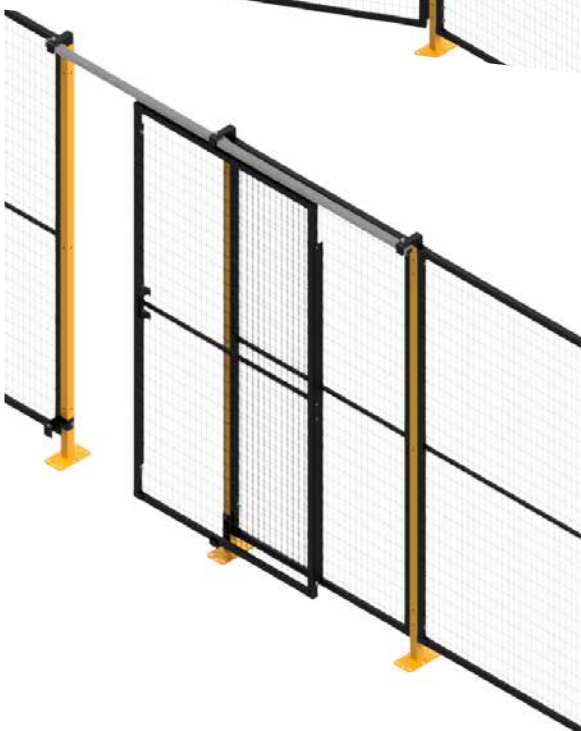
- Light 735 Center distance 775 (Panel B = 700)
- Light 1035 Center distance 1075 (Panel B = 1000)
- Light 1235 Center distance 1275 (Panel B = 1200)
- Light 1535 Center distance 1575 (Panel B = 1500)



## **Double doors**

The double-door uses the same concept of the single door but with a vertical bolt allows to anchor one of the two door panels to the ground.

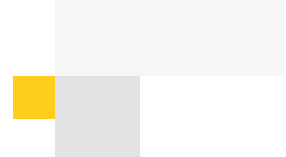
- Light 1450 Center distance 1490 (Panel B = 700 + 700)
- Light 2050 Center distance 2090 (Panel B = 1000 + 1000)
- 2450 light center distance 2490 (panel B = 1200 + 1200)
- 3050 light center distance 3090 (panel B = 1500 + 1500)



## **Single hanging sliding door**

The single sliding door uses, at the top, a single upper guide with a rolling rack, in the lower part there is a plastic profile (Polizene) that allows the smooth running of the panel.

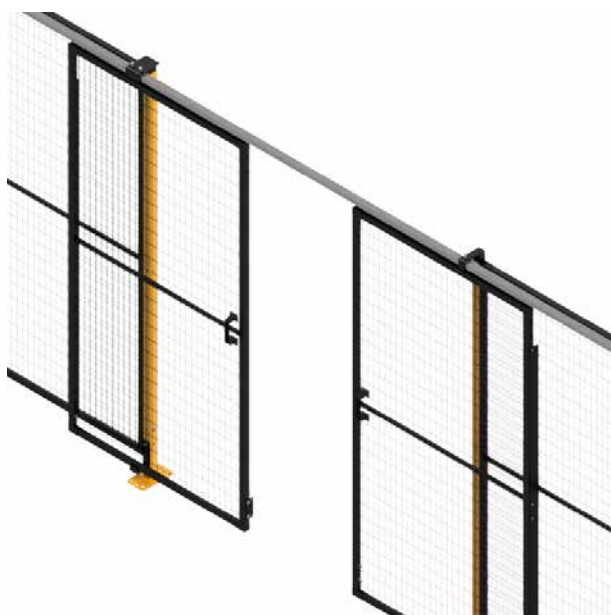
- Light 865 Center distance 905 (Panel B = 1000)
- Light 1065 Center distance 1105 (Panel B = 1200)
- Light 1365 Center distance 1405 (Panel B = 1500)



### Double hanging sliding door

The double sliding door allows opening from the two doors in a opposite way and uses the same single-door concept.

- Light 1223 Center distance 1263 (Panel B = 700 + 700)
- Light 1823 Center distance 1863 (Panel B = 1000 + 1000)
- Light 2223 Center distance 2263 (Panel B = 1200 + 1200)
- Light 2823 Center distance 2863 (Panel B = 1500 + 1500)



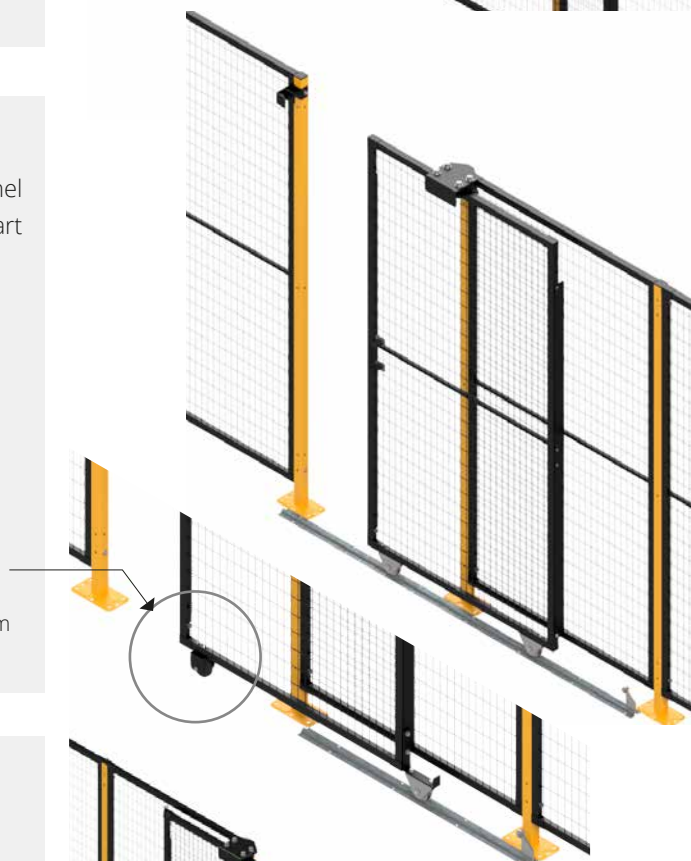
### Single sliding door with floor guide

The simple sliding door uses a floor guide, upon the panel with two wheels. The same panel is guided in the upper part of a plate with nylon roller system.

- Light 792 Center distance 896 (Panel B = 1000)
- Light 992 Center distance 1096 (Panel B = 1200)
- Light 1292 Center distance 1396 (Panel B = 1500)

#### Option with rubber wheel

The same set can be requested as a rubber wheel option that allows, at the top and bottom, that the light remain free from obstacles; Example: Transpallet movement.



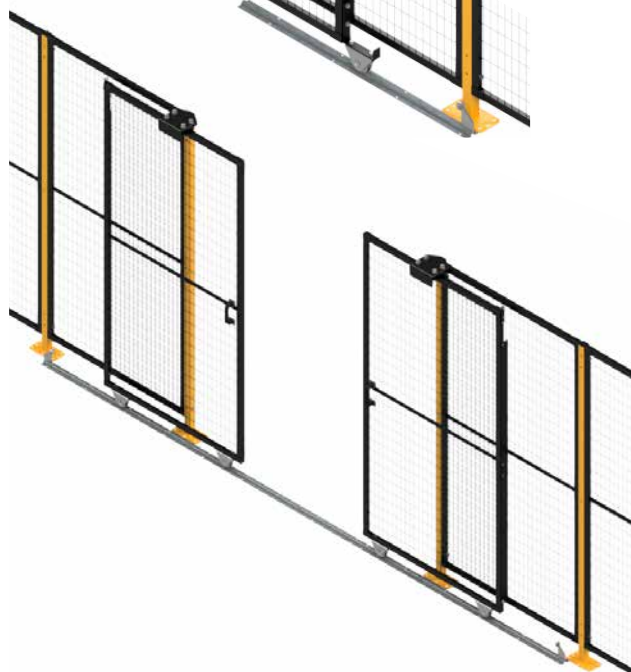
### Double sliding door

The double sliding door makes it possible to open the two doors in opposite directions and uses the same concept of the single sliding door.

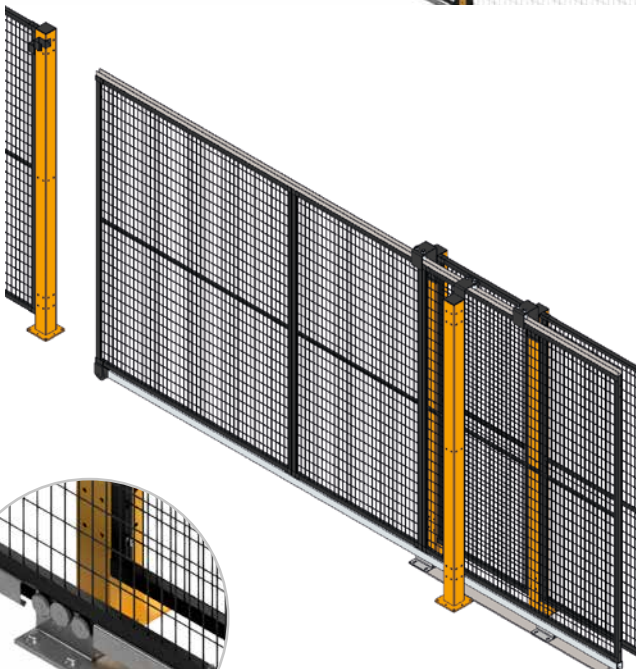
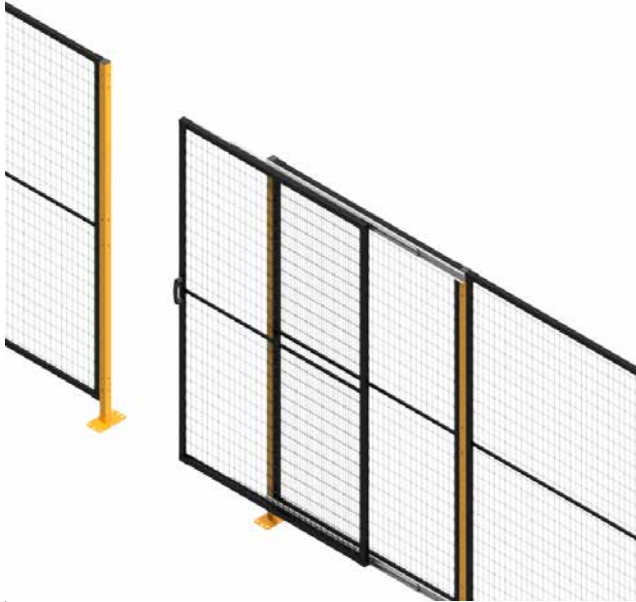
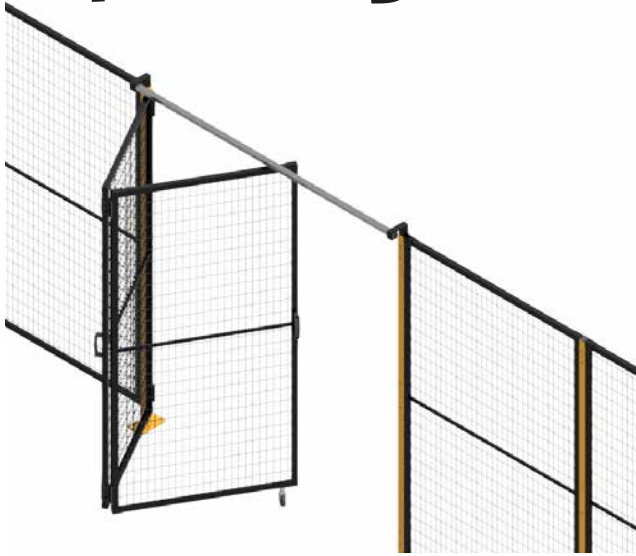
- Light 1065 Center distance between 1233 (Panel B = 700 + 700)
- Light 1665 Center distance 1833 (Panel B = 1000 + 1000)
- Light 2065 Center distance 2233 (Panel B = 1200 + 1200)
- Light 2665 Wheelbase 2833 (Panel B = 1500 + 1500)

#### Option with rubber wheel

The option can also be requested for this kit



# Additions to the Openings



## Folding door

The folding door allows a pack opening from all doors. The operation of this door is done by an upper guide and a rubber wheel in the lower part, so that the good stability is guaranteed. It is possible to deliver folding doors with or without floor guide.

## Single or double telescopic door

The telescopic door has the advantage of having no guides in the Upper or lower part, it is ideal for these customers who may have problems with obstacles.

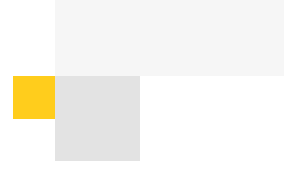
His operation takes advantage of the telescopic sliding guides or linear handling systems that guarantee excellent efficiency and long life.

## Self-supporting door

The self-supporting door was made to eliminate the obstacles from the top and the bottom of the transit room.

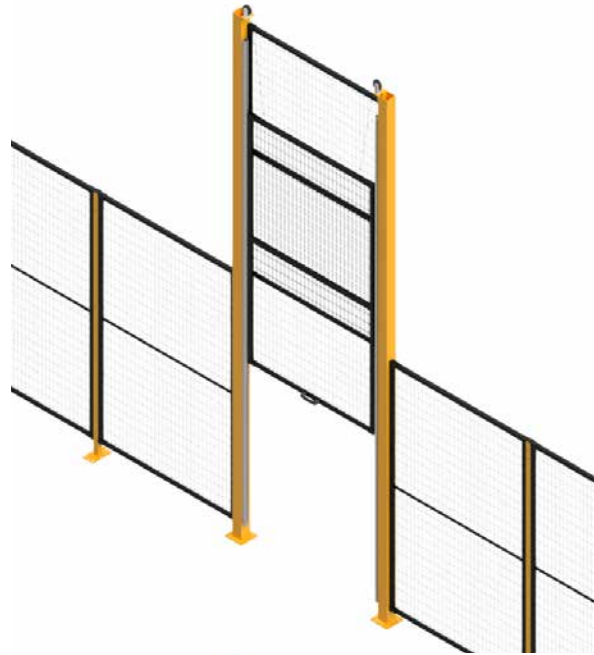
Using standard panels we can supply also large doors in an a cheap way and with limited delivery times.

Door light - mm	Panel - mm
725	1000
875	1200
1125	1500
1425	1000 + 1000
1825	1000 + 1500
2125	1500 + 1500
2425	1000 + 1500 + 1000
2725	1500 + 1000 + 1500
3025	1500 + 1500 + 1500
3425	1500 + 1000 + 1000 + 1500



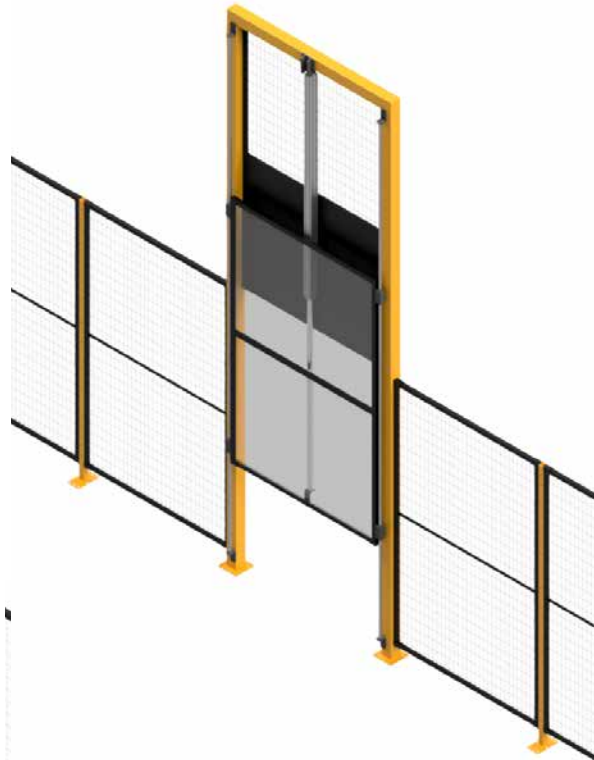
### Vertical manual sliding door

The vertical sliding door with manual movement uses a system of pulleys, linear guides and counterweights this guarantees its safety, functionality and long life.



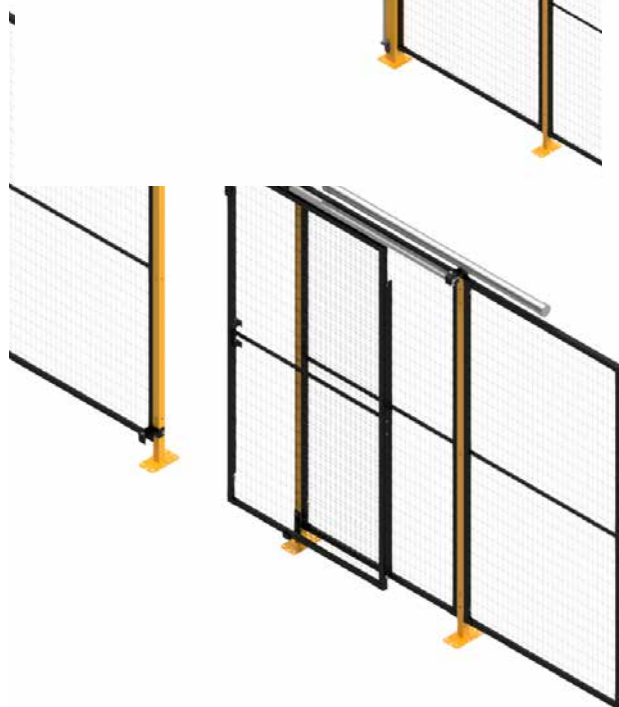
### Vertical automatic sliding door

The vertical pneumatic sliding door uses a system of pulleys, linear guides with balls circulation and counterweights that guarantee the Safety, functionality and durability. For this application we recommend, in the accessible area, the use of a buffer made of shockproof material, to prevent the operator from shearing danger.



### Horizontal automatic sliding sliding door

The suspended pneumatic sliding door uses the standard sliding door set with additional clamps and a pneumatic piston which is suitable for the requested light.



## Complements

# Locks and microswitches



### Anti-panic lock for flying doors

The anti-panic lock for flying doors are usually used in automatic warehouses. It fulfills the need to lock the door and at the same time allows the operator to exit in case of closure.

Available with:

Differents keys, Art. No. : KP050

Same key, Art. Nr. : 101020201



### Lock for doors or sliding doors

The lock allows to close the flying door or the sliding door with key to avoid the access by unauthorized people and to prevent staff to remain closed inside the protected area. It is designed for use from one to three padlocks to prevent the operators intervening in the machinery remain accidentally imprisoned.

Cod. 101020021 Door lock with door (opening with right hand)

Code 101020022 Door lock with door (opening with the left hand)

Cod.101020150 Lock for sliding door (opening with the right hand)

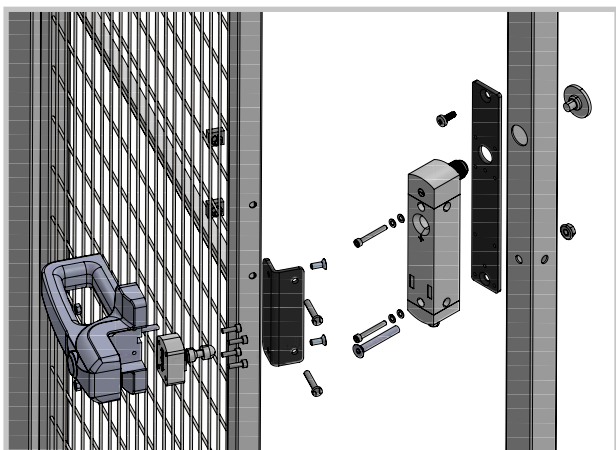
Cod.101020151 Sliding door lock (opening with the left hand)



### Interlocking system

The interlocking system is a device that increases the security level of the facility.

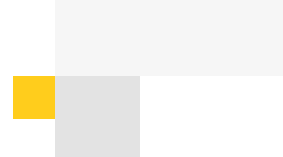
It prevents the start-up of the machine against the will of the person inside the restricted area thanks to a coded key system that cannot be duplicated.



### Custom-made brackets for microswitches and electromechanical locks

Our technical department is able to design customised brackets for your microswitches or solenoid locks:

Pizzato, Euchner, Schmersal, etc.

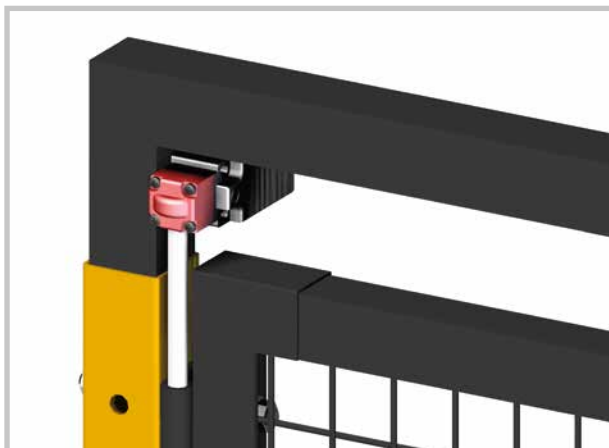


### Microswitch kit for flying doors

Uses a safety switch fixed above the hinge, model Pizzato FR2096-L16M1 1NO + 2NC; positioned and secured he is firmly connected to the hinge.

Code: 101030100 for hinged doors without upper crossbar

Code: 101030101 for hinged doors with upper crossbar



### RFID switch kit with lock for turning doors

Uses a safety switch Pizzato model NG 2D1D411A-F31

Cod. 101030147 (\*)



### Micro-kit for sliding doors

Uses a safety switch model FR2093-D1M1 1NO + 2NC; positioned between the fixed panel and the door panel and it is compatible both for the hanging sliding doors as well as for doors equipped with a floor guide.

Cod. 101030102 (\*)

Code 7030002867 Protective housing for shielding the security device (on request)



### RFID switch kit with sliding door lock

Uses a safety switch from Pizzato.

Code: 101030148 (\*) with NG 2D1D411A-F31 device

Code: 101030191 (\*) with NS D4A21SMK-F41 device



(\*) Mounting systems (screws) comply with Table 3 of UNI EN 14119